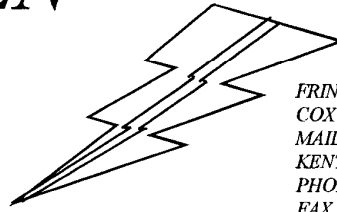


# BOYER BRANSDEN ELECTRONICS LTD.



FRINDSBURY HOUSE,  
COX LANE DETLING,  
MAIDSTONE,  
KENT. ME14 3HE.  
PHONE 01622 730939  
FAX. 01622 730930

## POWER-BOX ALTERNATOR REGULATOR

### SINGLE PHASE POWER BOX WITH LIGHTING DELAY CIRCUIT.

(THE LIGHTS ARE ONLY SUPPLIED WHEN 10 VOLTS IS EXCEEDED)

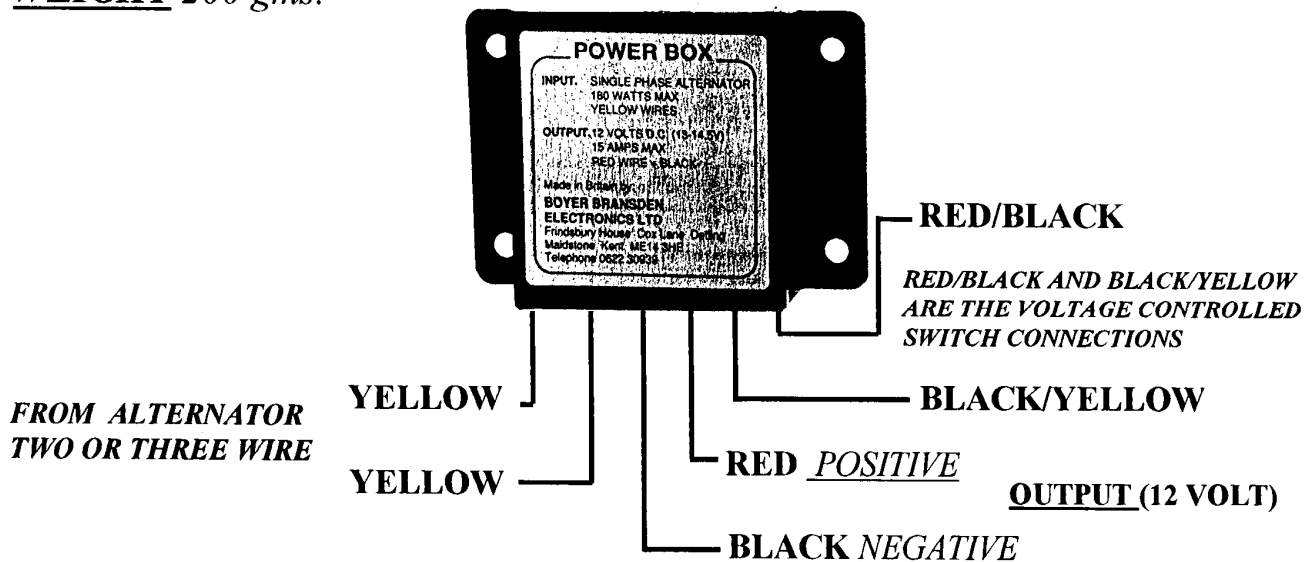
INPUT ANY PERMANENT MAGNET ALTERNATOR SINGLE PHASE  
TWO OR THREE WIRE UP TO 180 WATTS.

OUTPUT 13/14 VOLTS DC (CHARGING 12 VOLTS)

MOUNTING 4 X 6mm HOLES AT 45mm X 75mm CENTRES.

SIZE 66mm LONG.62mm WIDE. 35mm HIGH.92mm X 66mm OVER  
MOUNTING FLANGE.

WEIGHT 200 gms.



### P. T. O. FOR WIRING DIAGRAM

MOUNT THE UNIT IN FREE AIR, THIS CAN BE IN A BATTERY BOX BUT SOME AIR FOR  
COOLING IS REQUIRED.

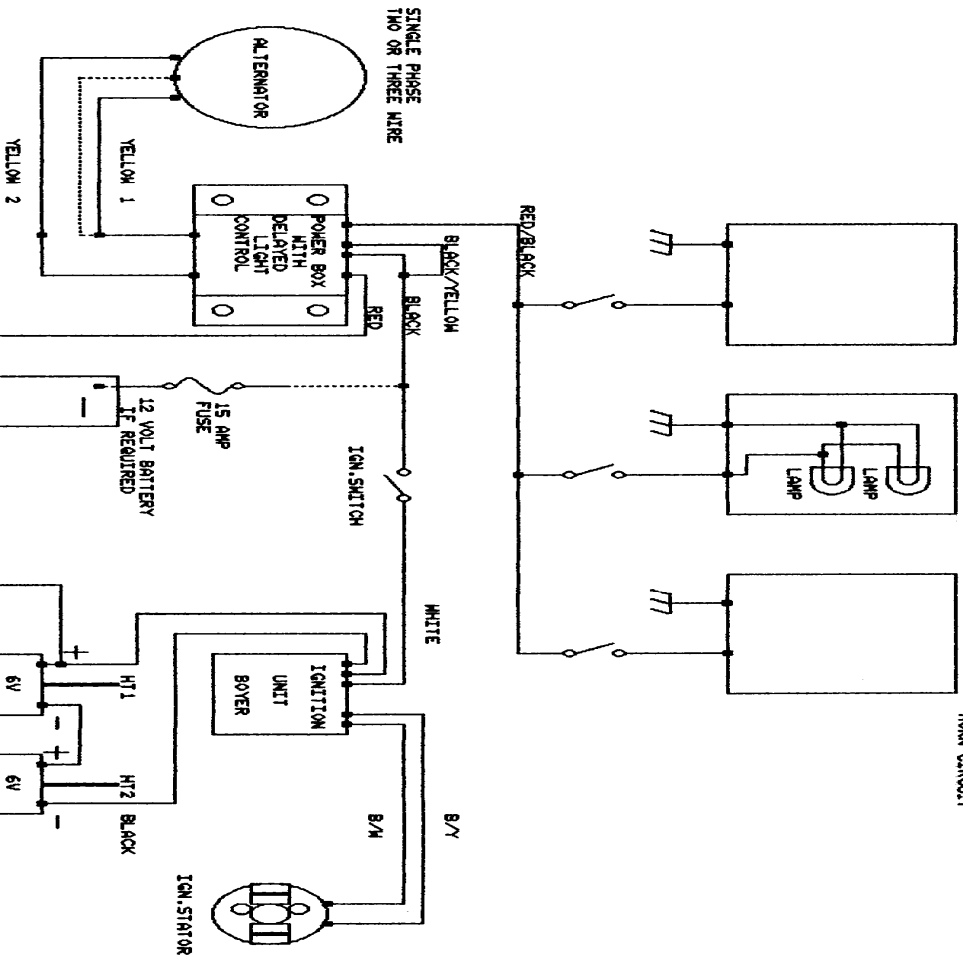
USE RUBBER VIBRATION MOUNTINGS FOR SEVERE CONDITIONS.

A BATTERY CAN BE USED WITH THIS UNIT BUT THE LIGHTING DELAY CIRCUIT WILL  
NOT FUNCTION.

A 15 AMP FUSE MUST BE FITTED IN THE BATTERY CIRCUIT AND NEVER CONNECT  
THE BATTERY THE WRONG WAY ROUND.

# LIGHTING AND ANCILLARY CIRCUITS

INDICATORS AND STOP LIGHT CIRCUIT  
HORN CIRCUIT



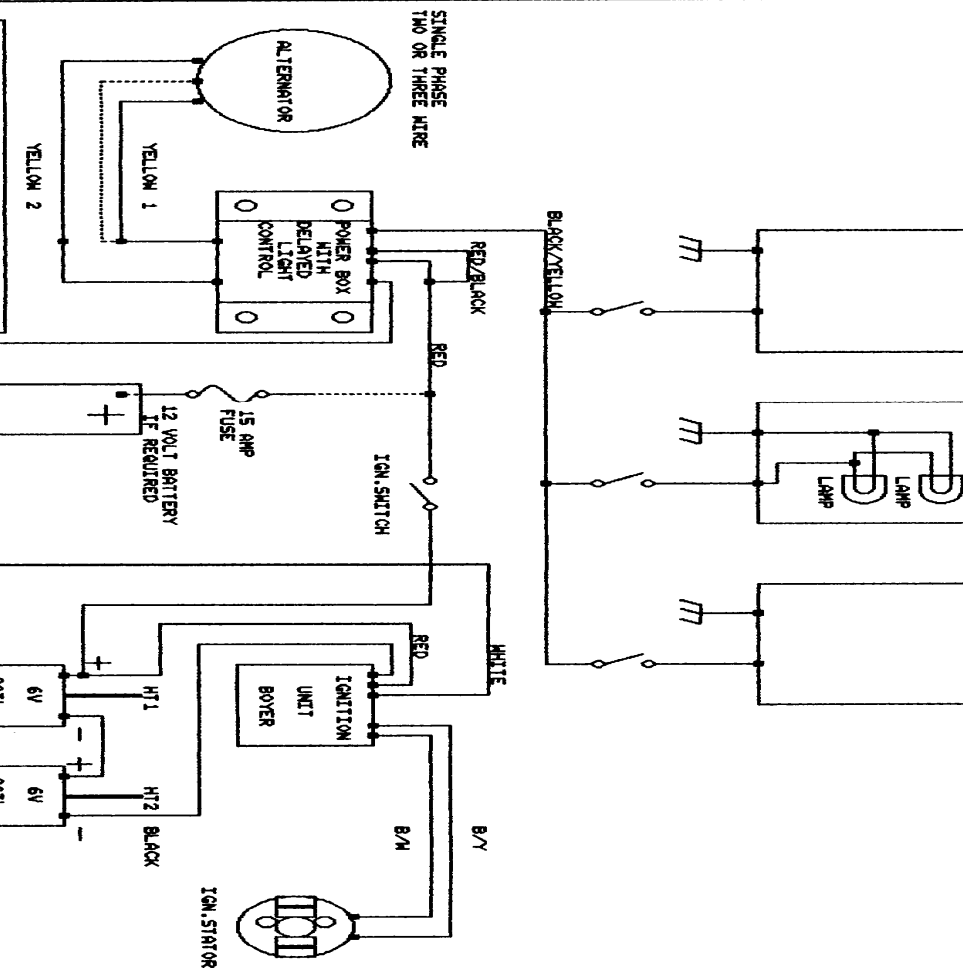
**NOTES ON ALTERNATOR WIRING**  
FOR THREE WIRE UNITS JOIN TWO WIRES AS FOLLOWS:-  
GREEN/YELLOW TO GREEN/BLACK, YELLOW 1 GREEN/YELLOW TO YELLOW 2  
OR THE FOLLOWING:-  
GREEN/YELLOW TO DARK GREEN TO 1  
LIGHT GREEN TO 2  
MIDGREEN TO DARK GREEN TO 1  
LIGHT GREEN TO 2

## POSITIVE EARTH SYSTEM

FOR 12V DUAL COIL WIRE BETWEEN BLACK AND RED, 3 TO 5 OHM PRE. RESISTANCE  
FOR 3 CYL. MACHINE USE 3 X 6 VOLT COILS IN SERIES.  
CHASSIS AND ENGINE CASE

# LIGHTING AND ANCILLARY CIRCUITS

INDICATORS AND STOP LIGHT CIRCUIT  
HORN CIRCUIT



**NOTES ON ALTERNATOR WIRING**  
FOR THREE WIRE UNITS JOIN TWO WIRES AS FOLLOWS:-  
GREEN/YELLOW TO GREEN/BLACK, YELLOW 1 GREEN/YELLOW TO YELLOW 2  
OR THE FOLLOWING:-  
GREEN/YELLOW TO DARK GREEN TO 1  
LIGHT GREEN TO 2  
MIDGREEN TO DARK GREEN TO 1  
LIGHT GREEN TO 2

## NEGATIVE EARTH SYSTEM

FOR 12V DUAL COIL WIRE BETWEEN BLACK AND RED, 3 TO 5 OHM PRE. RESISTANCE  
FOR 3 CYL. MACHINE USE 3 X 6 VOLT COILS IN SERIES.  
CHASSIS AND ENGINE CASE