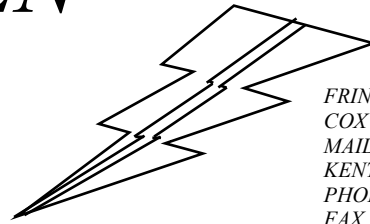


BOYER BRANSDEN ELECTRONICS LTD.

PBOX00109



FRINDBURY HOUSE,
COX LANE DETLING,
MAIDSTONE,
KENT. ME14 3HE.
PHONE 01622 730939
FAX. 01622 730930

POWER-BOX ALTERNATOR REGULATOR

BI- PHASE POWER BOX

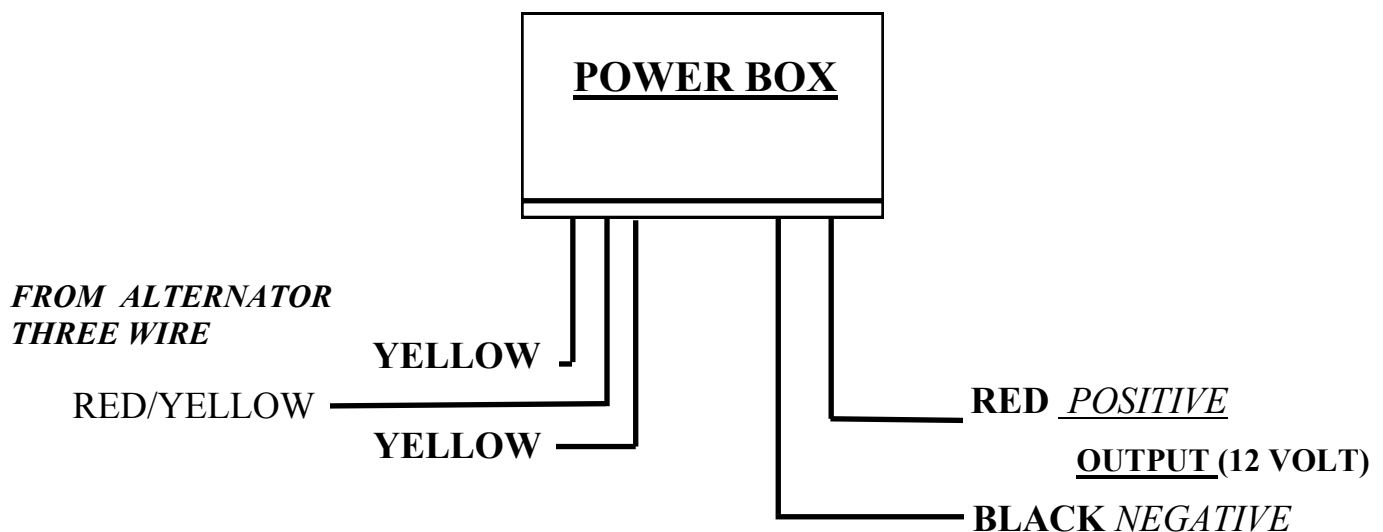
***INPUT** ANY PERMANENT MAGNET ALTERNATOR BI- PHASE
THREE WIRE UP TO 180 WATTS .*

***OUTPUT** 13/14 VOLTS DC (CHARGING 12 VOLTS)*

***MOUNTING** 4 X 6mm HOLES AT 45mm X 78mm CENTRES.*

***SIZE** 66mm LONG.62mm WIDE. 35mm HIGH.92mm X 66mm OVER
MOUNTING FLANGE.*

***WEIGHT** 200 gms.*



P. T. O. FOR WIRING DIAGRAM

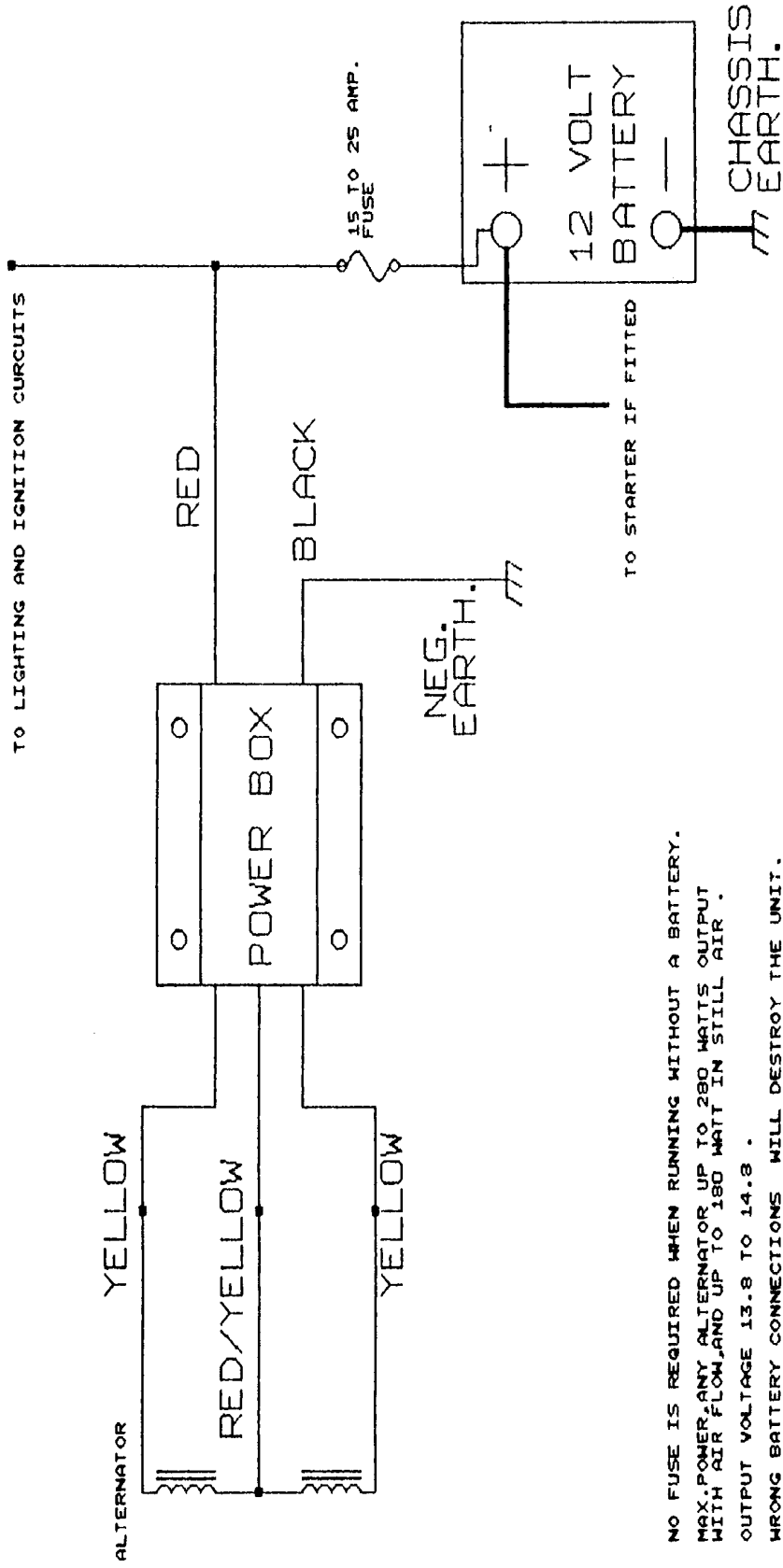
***MOUNT THE UNIT IN FREE AIR,**THIS CAN BE IN A BATTERY BOX BUT SOME AIR FOR
COOLING IS REQUIRED.*

USE RUBBER VIBRATION MOUNTINGS FOR SEVERE CONDITIONS.

***NEVER CONNECT THE BATTERY THE WRONG WAY ROUND.** A FUSE MUST
BE PLACED IN ONE OF THE BATTERY CONNECTIONS. WHEN RUNNING WITHOUT A BATTERY
NO FUSE IS REQUIRED, AND IT IS IN ORDER TO SHORT THE OUTPUT TO STOP THE ENGINE.*

TWO PHASE ALTERNATOR POWER BOX UNIT

THIS UNIT IS DESIGNED TO RUN WITH OR WITHOUT A BATTERY



NO FUSE IS REQUIRED WHEN RUNNING WITHOUT A BATTERY.
 MAX. POWER ANY ALTERNATOR UP TO 280 WATTS OUTPUT
 WITH AIR FLOW, AND UP TO 180 WATT IN STILL AIR.
 OUTPUT VOLTAGE 13.8 TO 14.8 .
 WRONG BATTERY CONNECTIONS WILL DESTROY THE UNIT.
 A SPARK MAY BE SEEN ON CONNECTING THE BATTERY,
 THIS IS THE INTERNAL CAPACITOR CHARGING.
 NO CURRENT IS BEING USED ONCE CHARGED.
 FOR FLAT BATTERY STARTING REMOVE FUSE AND KICK OR BUMP START.
 REPLACE THE FUSE WHILE THE ENGINE IS RUNNING FAST.

BOYER BRANSDEN ELECTRONICS LTD.	
Title	BIPHASE POWER BOX WIRING DIAGRAM
Size	Document Number
REV	A
Date:	June 24, 1993 Sheet 1 of 1