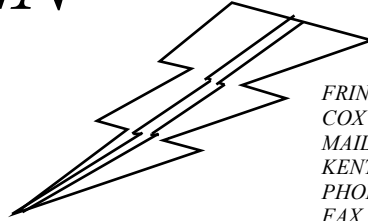


BOYER BRANSDEN ELECTRONICS LTD.



FRINDBURY HOUSE,
COX LANE DETLING,
MAIDSTONE,
KENT. ME14 3HE.
PHONE 01622 730939
FAX. 01622 730930

POWER-BOX ALTERNATOR REGULATOR

THREE PHASE POWER BOX

INPUT ANY PERMANENT MAGNET ALTERNATOR THREE PHASE
THREE WIRE UP TO 280 WATTS.

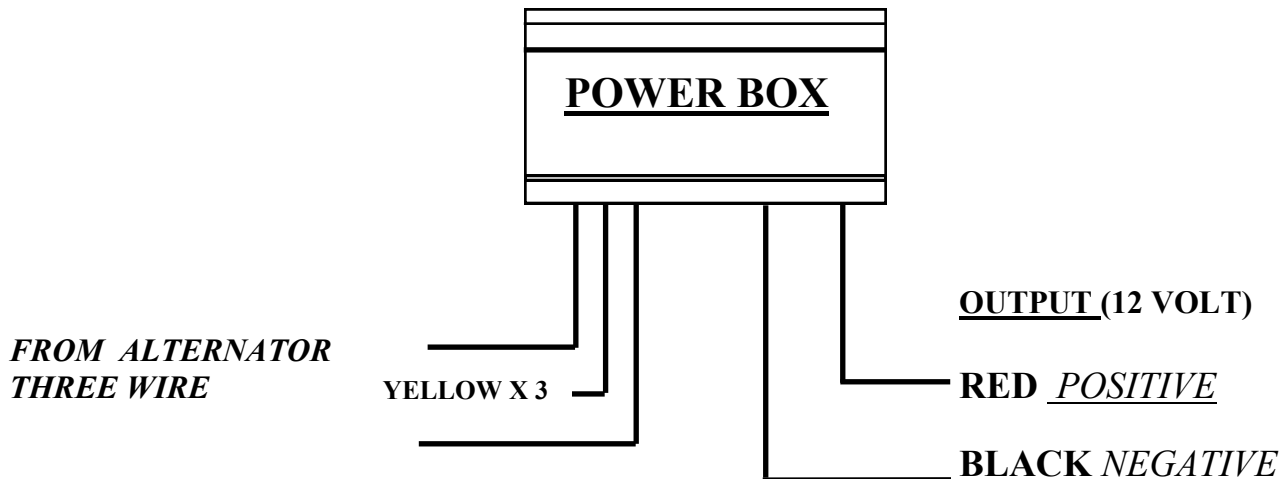
OUTPUT 13/14 VOLTS DC (CHARGING 12 VOLTS)

MOUNTING 4 X 7mm HOLES AT 70mm X 70mm CENTRES.

SIZE 88mm LONG.90mm WIDE. 64mm HIGH.88mm X 50mm OVER
MOUNTING FLANGE.

WEIGHT 360 gms.

Note: On Norton machines the charge warning light simulator must not be used
Please remove it. If this feature is required please use our PBOX00106 which
includes a charging light control.



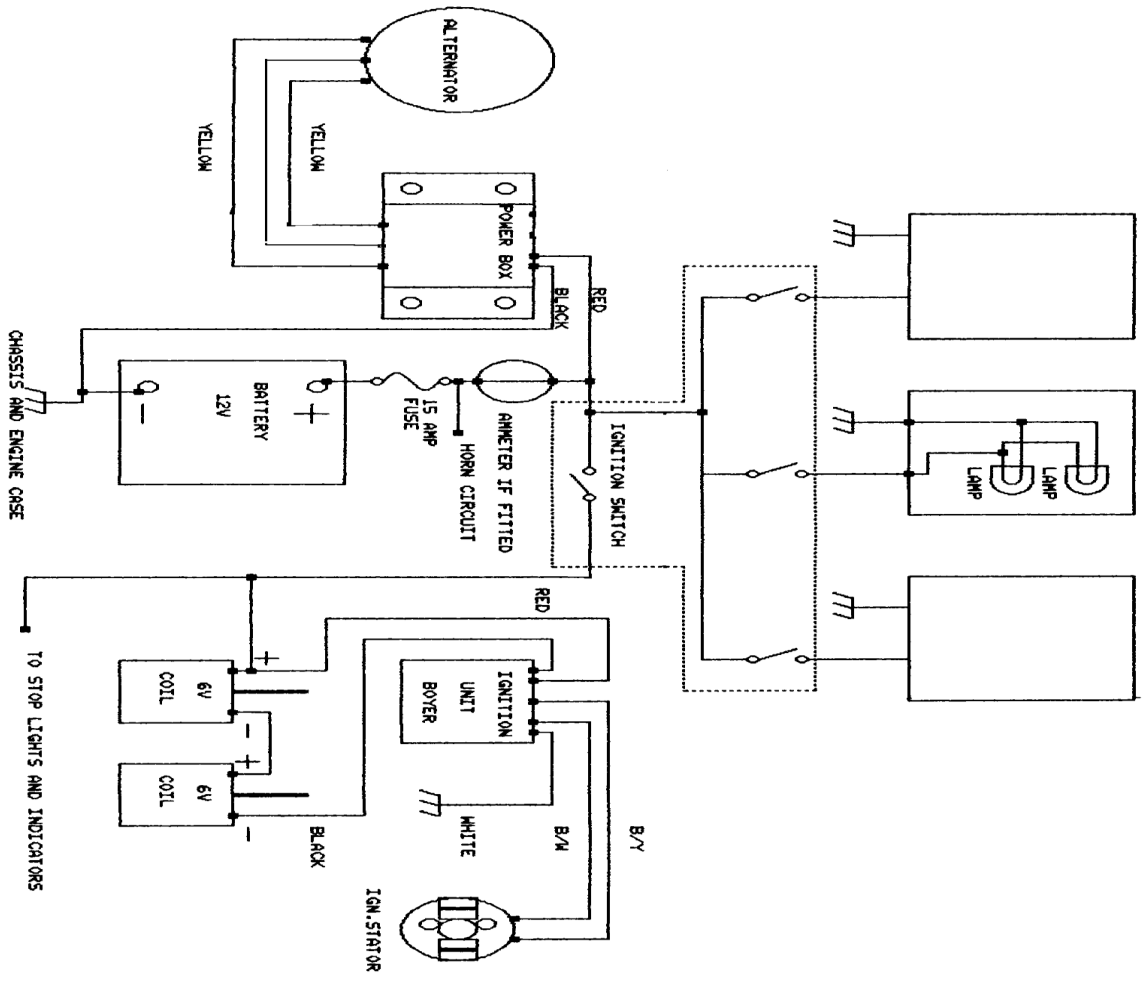
P. T. O. FOR WIRING DIAGRAM

MOUNT THE UNIT IN FREE AIR, THIS CAN BE IN A BATTERY BOX BUT SOME AIR FOR
COOLING IS REQUIRED.

USE RUBBER VIBRATION MOUNTINGS FOR SEVERE CONDITIONS.

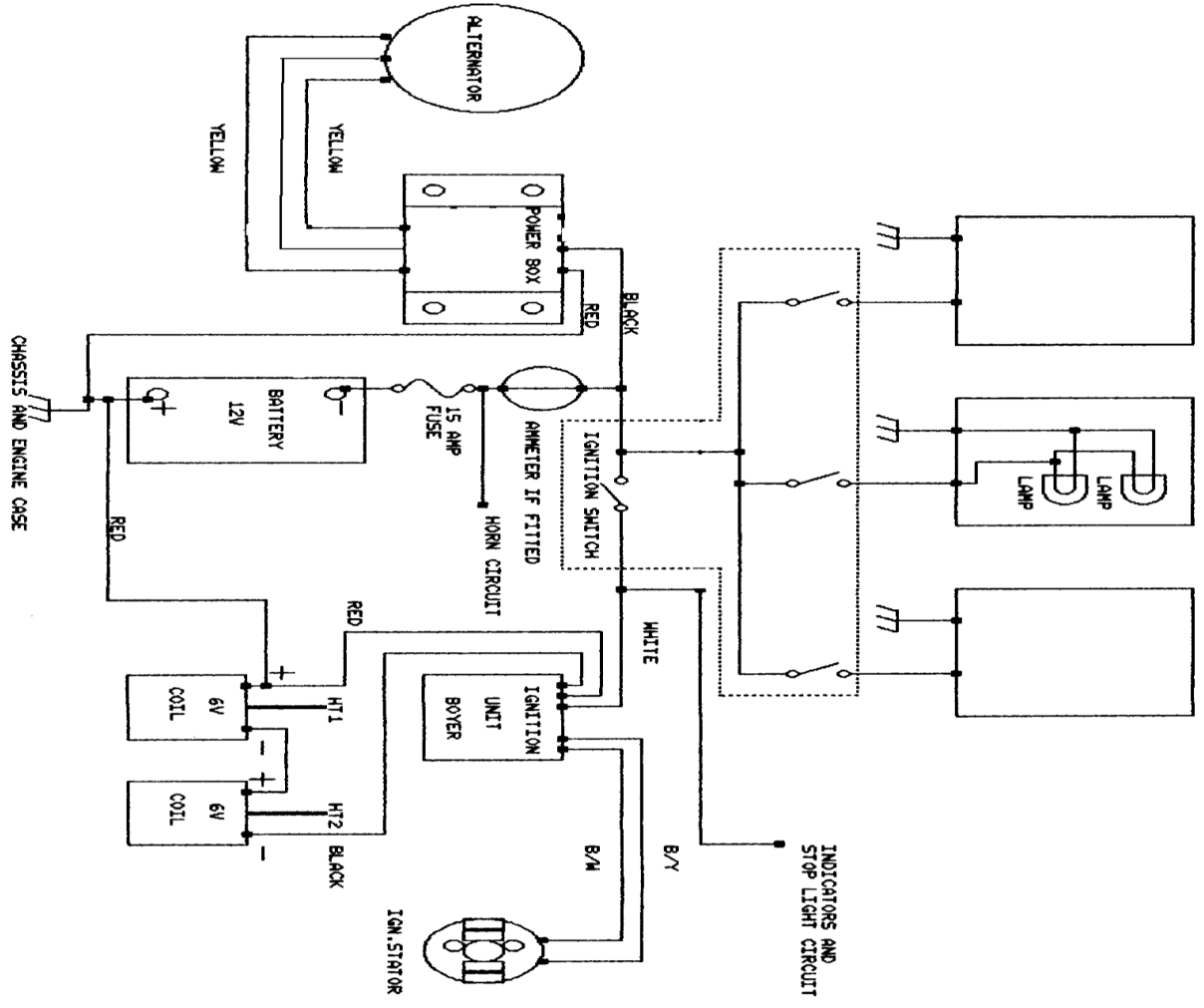
NEVER CONNECT THE BATTERY THE WRONG WAY ROUND. A FUSE MUST
BE PLACED IN ONE OF THE BATTERY CONNECTIONS. WHEN RUNNING WITHOUT A BATTERY
NO FUSE IS REQUIRED, AND IT IS IN ORDER TO SHORT THE OUTPUT TO STOP THE ENGINE..

LIGHTING AND ANCILLARY CIRCUITS



NEGATIVE EARTH SYSTEM

LIGHTING AND ANCILLARY CIRCUITS



POSITIVE EARTH SYSTEM

FOR STARTING WITH A LOW BATTERY REMOVE FUSE, TURN OFF LIGHTS,
 START ENGINE RUN UP TO SPEED AND REPLACE FUSE.
 FOR BATTERLESS RUNNING NO FUSE IS REQUIRED.