



**BOYER BRANSDEN  
ELECTRONICS LIMITED**

Frindsbury House, Cox Street, Detling  
Maidstone, Kent ME14 3HE

Telephone: 01622 730939

Facsimile: 01622 730930

Website: [www.BoyerBransden.com](http://www.BoyerBransden.com)

Email: [Mail@BoyerBransden.com](mailto:Mail@BoyerBransden.com)

**KIT00072**

**ELECTRONIC RPM CONTROL UNIT FOR MACHINES WITH POINTS OR ELECTRONIC IGNITION SYSTEMS  
CAN BE USED ON 2 & 4 STROKE ENGINES WITH 12 VOLT ELECTRICS, WITH OR WITHOUT DISTRIBUTORS**

This unit is designed to control the ignition voltage within a range of less than 100 rpm and can be present over the range of 3000 rpm to 15000rpm.

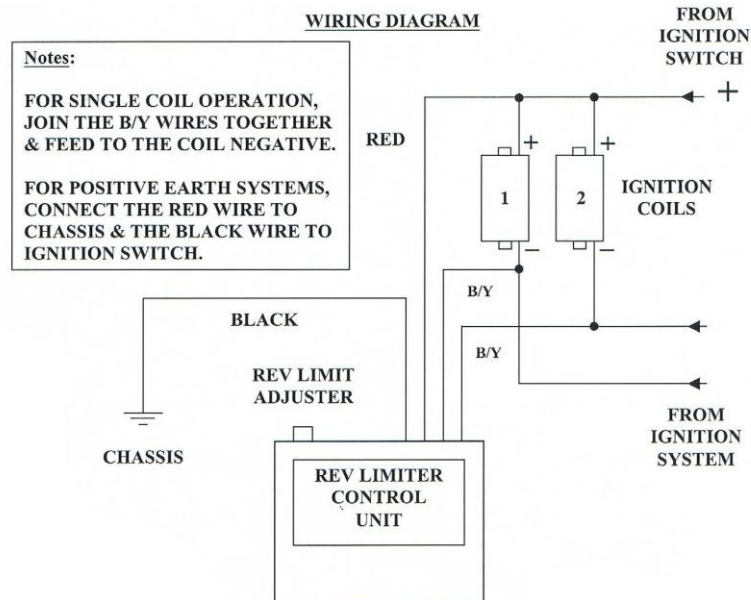
The system will allow the engine to produce full power up to the set rpm figure and then the ignition voltage will be sharply reduced, allowing the engine to hunt over a very narrow rev band.

The adjustment of the rev range is by a 20-turn screwdriver adjuster with anti-shear limit stops. This is sealed by an o-ring and is vibration proof.

Clockwise rotation increases the rev limit; counter-clockwise reduces it.

Units have 5 year warranty.

Note: This unit cannot be used with the Micro Power blue box systems (Low Inductance coil ignitions) & engine management systems.



Registered Office:  
Frindsbury House, Cox Street,  
Detling, Maidstone, Kent ME14 3HE.  
Registered Number: 1087017